

PRESSURE SENSITIVE LABEL APPLICATOR

Model AE 612 - MK II

WIPE-ON-LABELER



Simply EASY!



The AE612MK-II model is a high-end servo-driven labeler delivering optimum, maintenance-free versatility. Compact and robust. Speeds and label lengths are self adjusted digitally through the HMI touch screen. The AE612MKII features: standard precision gradient rulers reflected in HMI, tool-less changeovers, user-friendly color-evident adjustments, Will synchronizes to any existing conveyor. NO proprietary electronic means NO "PLCs or microprocessors".

HEAVY-DUTY CONSTRUCTION

- Stainless steel & high grade anodized aluminum
- Precision sealed bearings, single belt drive technology
- Standard 6" web width, 12" diameter media roll on 3" core
- Tool-less changeovers
- Peel plate with adjustable angle adjustments
- Unique red & blue color-evident anodized adjustments with scales

TECHNOLOGY / CONTROL

- Servo-Motor
- Servo-programmable drive controller (open – architecture internal network)
- Encoder synchronized
- Clear and opaque label detection
- Complete product and label positioning memory
- Digital touch screen controlled gap and product sensors
- Never physically move the sensors again
- Emergency stop on electrical panel
- No proprietary electronics or microprocessors – available worldwide

HMI CONTROLLER INTERFACE

- Standard 3.5" touch screen (password protected)
- Setup recipe recall, diagnostics, speed controls
- True scalable setting memorization
- Automatic electronic sensor positioning & label length detection
- Automatic label teach and calibration

PERFORMANCE

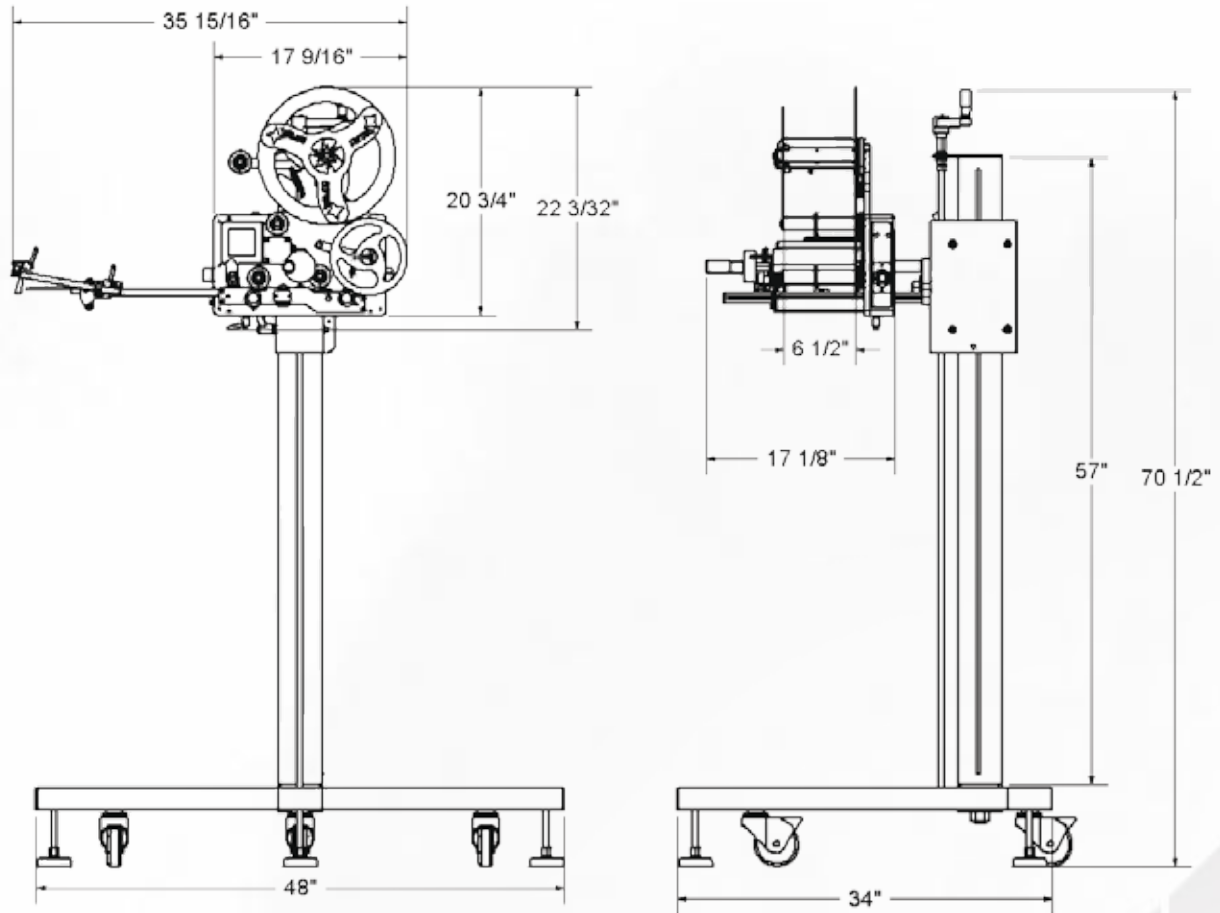
- Single belt drive technology for fast and accurate ramp up and ramp downs
- Adjustable, synchronized speeds up to 1570"/min (40 meters/min)
- Synchronization with any controllable conveyor
- Precision label dispensing of +/- 1/16"
- Positioning possibilities: Vertical, horizontal, upright or upside down, suspended, at any angle
- Inkjet, thermal inkjet and hot stamp coder compatible



NITA - LABELING EQUIPMENT WWW.NITALABELINGEQUIPMENT.COM
1051 DU VIGER STREET, TERREBONNE (QC), CANADA, J6W 6B6, 1.877.961.4008



AE612MKII – Wipe on labeler - Specifications



Power:	200-240 VAC, single phase, 60 Hz, 10 amps
Labeling rate:	Synchronized 1570"/min (40 meters/min)
Accuracy:	+/- 1/16"
Min. label:	1/2" wide x 1/2" long
Max. label:	6" wide x 20" long
Media roll size:	12" (305mm) OD on 3" (76mm) CORE
Motor:	(encoded) synchronized SERVO
Controller:	Touch screen Human Machine Interface (HMI)
Weight:	200 Lbs.
Label detection:	Photoeye (fixed)
Available options:	Wide web width up to 9" (229mm) Clear label sensor Shellshock option (C-shaped application) Spring loaded top guides Wipe gate Loose loop printer (for Print & Apply) Thermal inkjet coder



Distributed by:

