

# MODEL 390

Automatic Horizontal Wraparound Label Applicator

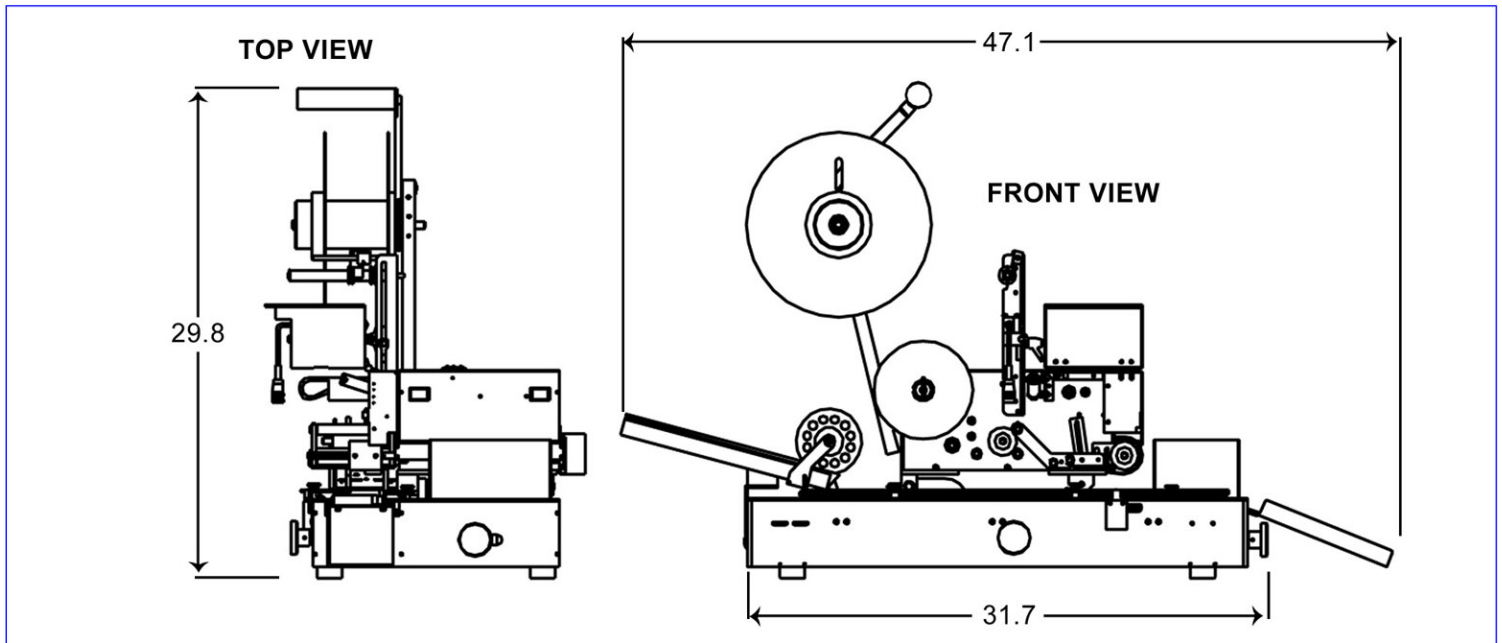


 auto labe

# MODEL 390

## Automatic Horizontal Wraparound Label Applicator

- Extremely accurate label placement.
- Excellent for pharmaceutical applications.
- Available with optional product metering wheel and safety cover.
- Ideal for small, difficult to handle, round products.
- Adaptable for labeling odd shapes such as syringes.
- Lot numbering and code dating available with the Auto Labe Model 310 Hot Stamp Imprinter.



### EQUIPMENT SPECIFICATIONS:

#### DIMENSIONS: (overall)

Width: 18.7 in. / 47.5 cm

Length: 31.7 in. (47.1 in. with chutes) / 80.5 cm

Height: 29.8 in. / 75.7 cm

#### WEIGHT:

96 lbs / 43.6 kg

#### ELECTRIC:

115 VAC / 60HZ / 1AMP (max.)

### OPTIONS AVAILABLE

- Wide label kits
- Spare parts kit
- Model 310 Hot Stamp Imprinter
- Connection kits for thermal transfer printers

### LABEL SPECIFICATIONS:

Standard 4.5 in. Web Width / 10" O.D. Roll with 3" Core  
Pressure sensitive / Die Cut

### SHIPPING WEIGHT:

120 lbs. / 45 kg

### SHIPPING CRATE DIMENSIONS:

Width: 29 in. / 73.6 cm

Length: 42 in. / 106.6 cm

Height: 26 in. / 66 cm



DIVISION OF BOOTH MANUFACTURING COMPANY

3101 Industrial Avenue Two, Fort Pierce, Florida 34946  
Toll Free 800-634-5376 • 772-465-4441 • Fax 772-465-5177  
www.autolabe.com • e-mail: info@autolabe.com