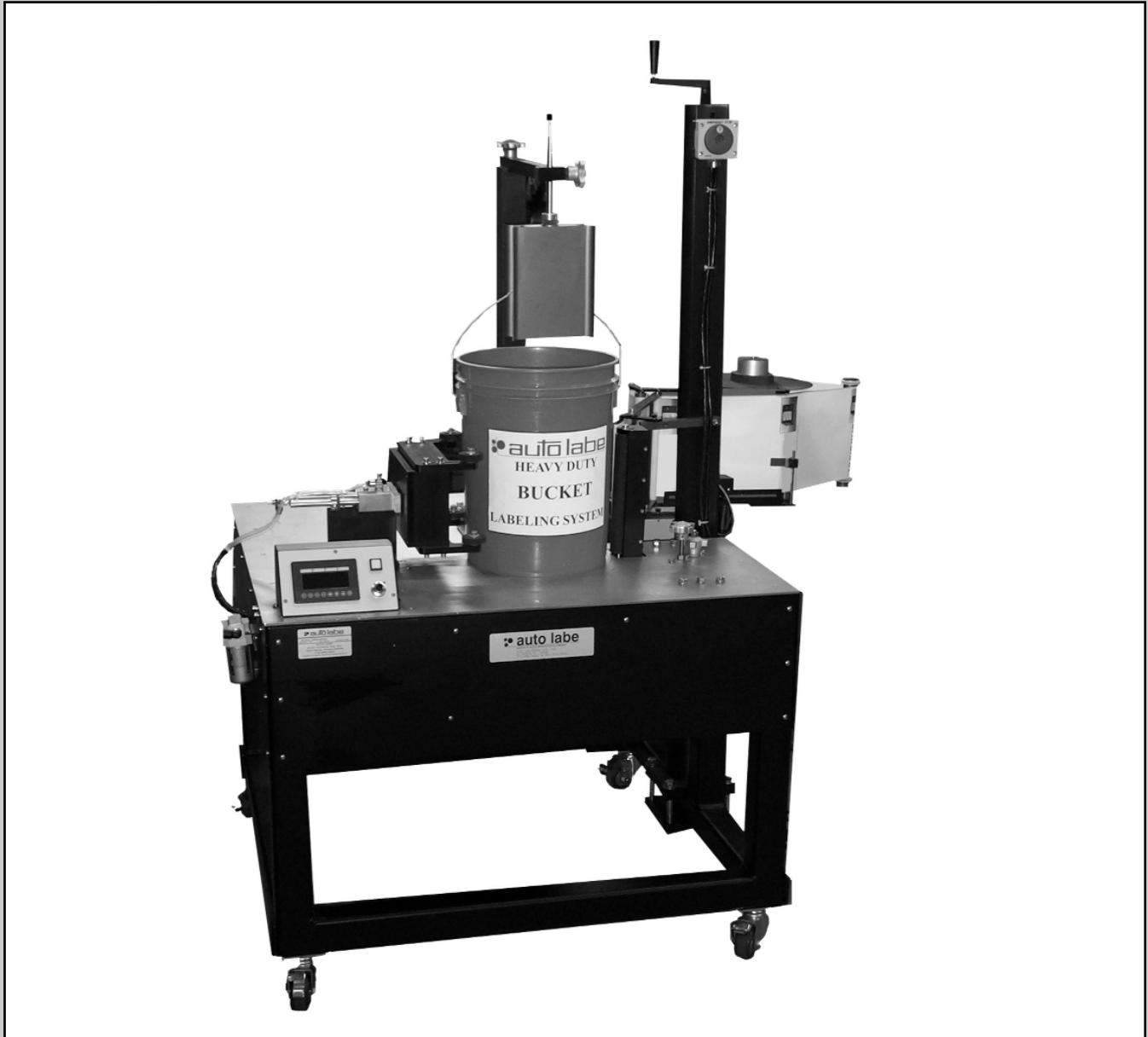


Semi-Automatic Bucket Label Applicator



 **auto labe**

MODEL 590

Toll Free 800-634-5376

MODEL 590

Auto Labe's New Semi-Automatic Bucket Labeler is ideal for labeling empty 2.5 to 6 gallon buckets and is perfect for small production runs. This labeler can use pre-printed labels or be married with a table-top printer for Print & Apply capabilities. Built to last with only the best components for maximum versatility and performance.

Features

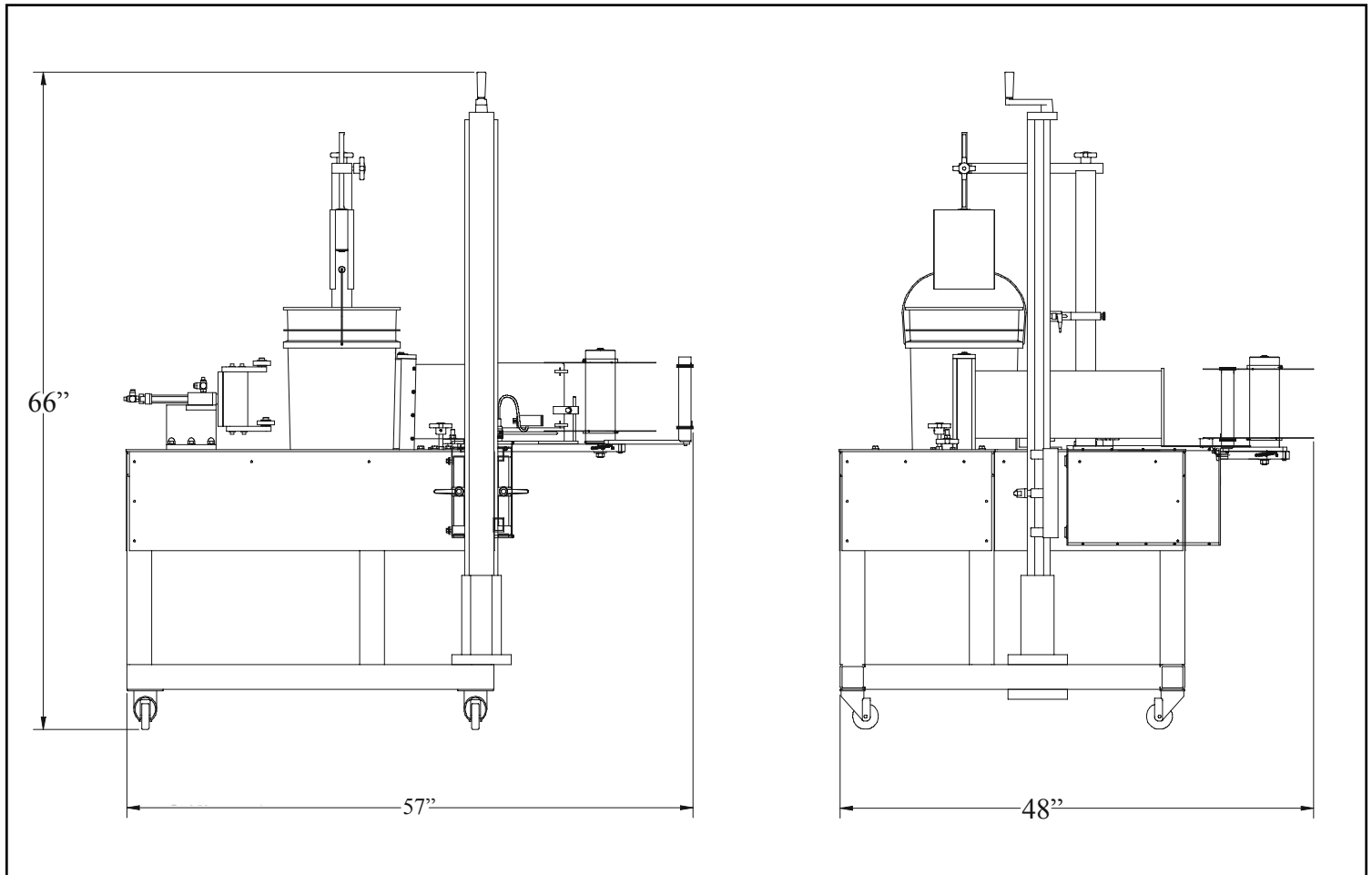
- Foot Pedal Activated
- Stainless Steel Top
- Heavy Duty Construction
- Caster Mounted
- Easy Operation

Specifications

- Air Requirements:**
3 CFM @ 90 PSIG
- Electric Requirements:**
110 VAC 60Hz/5 AMP
220 VAC 50 Hz (Optional)
- Equipment Weight:**
370 lbs/168 kg (approximate)

Options

- Label Orienting with PLC
- Front & Back Labeling
- LCD for PLC Control
- Print & Apply Loose Loop
- Emergency Stop Switch



Over 35 years of commitment to quality and innovation
in the Pressure Sensitive Labeling Industry



DIVISION OF BOOTH MANUFACTURING COMPANY

3101 Industrial Avenue Two, Fort Pierce, Florida 34946
Toll Free 800-634-5376 • 772-465-4441 • FAX 772-465-5177

MEMBER



DISTRIBUTED BY: